

# HYterm FC200P



FC200P is a controller designed for the speed regulation of electronic fans mounted on finned pack heat exchangers. It is used in most application sectors such agriculture, HVAC, industry process, datacenter.

## MAIN FEATURES

### Cloud services

It natively integrates a Plug & Play connection to IIoT GR gateways to transmit process data to the platform HyCloud, allowing the remote monitoring and assistance on heat exchangers deployed all over the world.

### Energy Saving

Thanks to carefully studied control algorithms, FC200P allows an efficient management of the fans, reducing its energy consumption and increasing its efficiency.

### Modern

Based on a modern platform equipped with a latest generation processor, it allows the upgrade of the FW locally through the built-in USB port or remotely through IIoT GR gateways.

### IIoT Ready

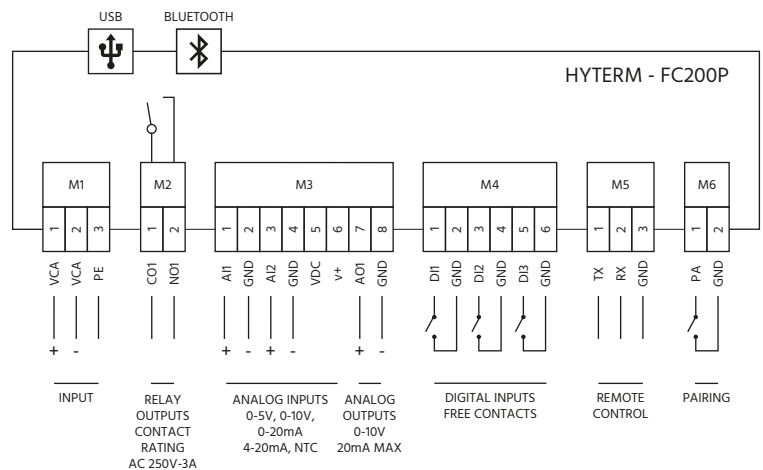
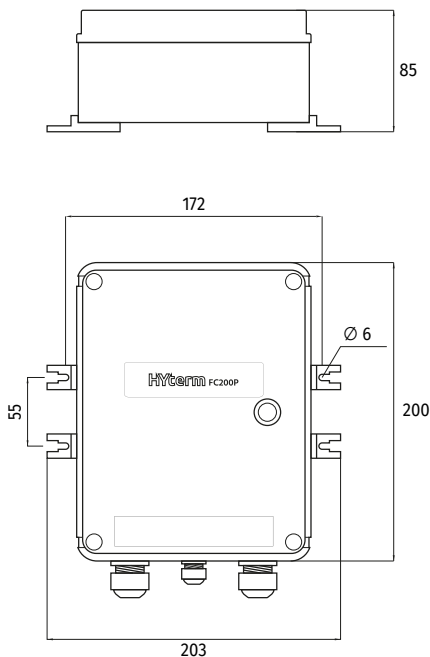
The integrated Bluetooth connection and the free application HyCo allow you to monitor and configure the controller FC200P from IOS or Android mobile device.

## BENEFITS

- Wide range of power supply.
- Equipped with power supply overvoltage protection.
- Compatible with all earthing systems (TT, TN, IT).
- Compact design with a high IP rating simplifies installations and retrofits.
- Simplifies human-machine interaction thanks to the HyCo APP.
- Can be customized for special applications.
- Made with high quality components, it is guaranteed for 24 months.

<b>TECHNICAL DATA</b>	Power supply	230V ±10% 50/60Hz - 400V ±10% 50/60Hz 440V ±10% 50/60Hz - 460V ±10% 50/60Hz
	Power consumption	10VA
	Terminal block	Screw plug-in male/female connectors pitch 3,81 / 5,08
	Cable cross-section	min 0,5 mm <sup>2</sup> ÷ max 2,5mm <sup>2</sup> min 20 AWG Cu ÷ max 14 AWG Cu
<b>OPERATING CONDITIONS</b>	Operating temperature	-20÷50°C - Rh max 85% non-condensing
	Storage temperature	-35÷85°C - Rh max 85% non-condensing
	Vibrations	Vibrations <1g (9,8ms <sup>2</sup> )
	Degree of protection	IP56
	Degree of pollution	—
	Insulation class	—
<b>CONN.</b>	Communication lines	COM 1 - RS232 Remote control
	Bluetooth	Interior
	USB	Micro USB
<b>MEASURE</b>	Dimensions	200 × 154 × 80 mm (without support-brackets)
	Weight	

<b>INPUTS/OUTPUTS</b>	Analog inputs	2 configurable inputs 0-5V, 0-10V, 0-20mA, 4-20mA, NTC
	Digital inputs	3 digital inputs (dry contact) All inputs can be configured NO or NC
	Analog outputs	1 analog output 0-10V max 20mA
	Digital outputs	1 digital output (changeover contact 250V 3A) All outputs can be configured NO or NC
<b>ENCLOSURE</b>	Mounting	On panel
	Material	GWPLAST 75 technopolymer (Halogen Free)
	Ball pressure test	85°C
	Flammability Rating	HB (according UL94)
	GWFI	650°C
	Color	Gray RAL 7035
	Cable glands	2 × M20 + 2 × M12
<b>STANDARD</b>	Compliance	2014/35/UE (LVT - Low Voltage) 2014/30/UE (EMC-Electromagnetic compatibility)
	Technical Standard	CEI EN60730 -1, CEI EN60730-2-9 EN 61000-6-1, EN 61000-6-2, EN 61000-6-3, EN 61000-6-4; EN 55014-1, EN 55014-2



PRODUCT	DESCRIPTION	CODE
FC200P	Speed Regulator 230Vac 50/60Hz IP56	10.003.00.0001
FC200P	Speed Regulator 400Vac 50/60Hz IP56	10.003.00.0002
FC200P	Speed Regulator 440Vac 50/60Hz IP56	10.003.00.0003
FC200P	Speed Regulator 460Vac 50/60Hz IP56	10.003.00.0004